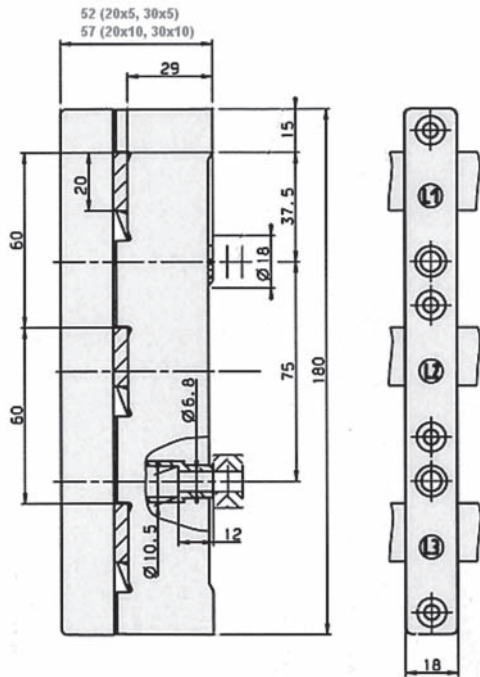
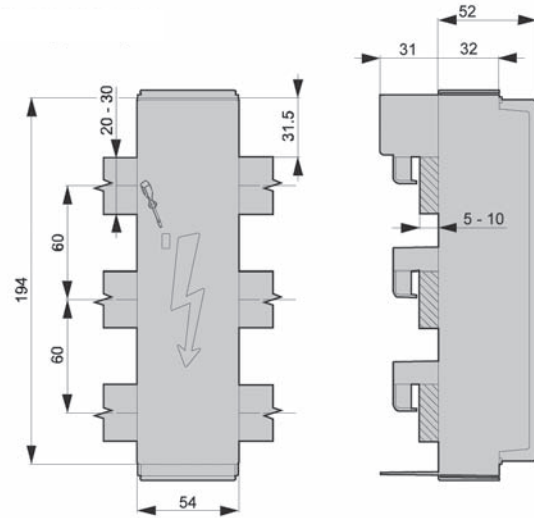


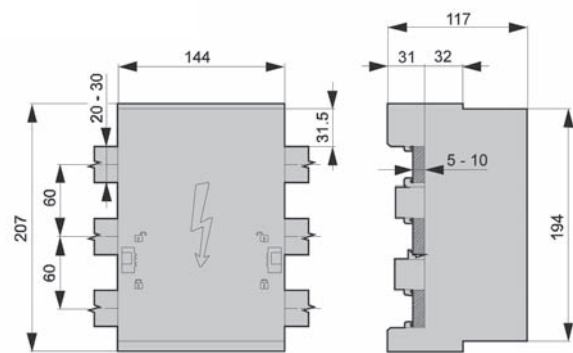
SST-60/49-3



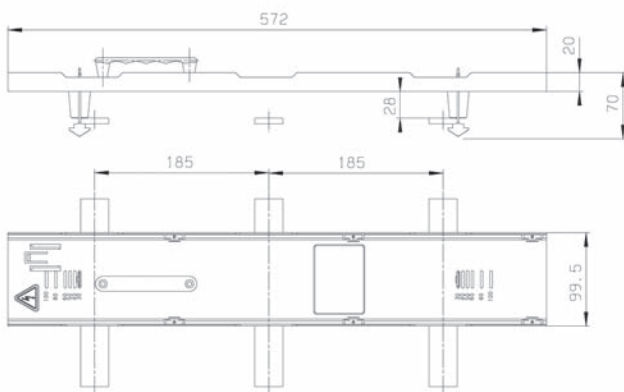
AM-60/250/3



AM-60/630/3



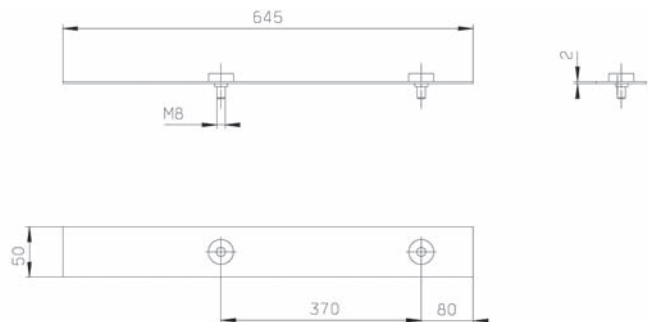
H-RF



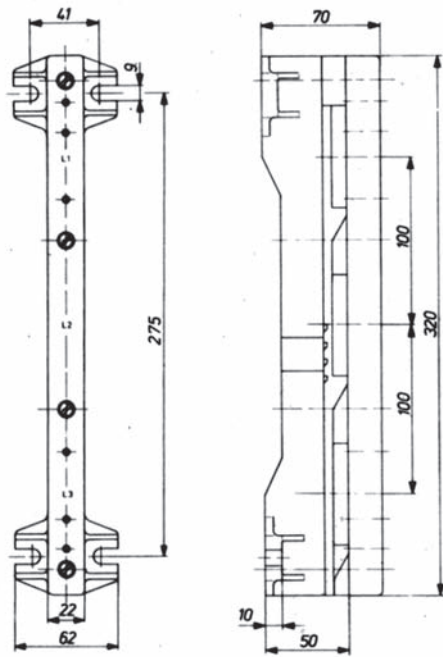
ASST-60/3



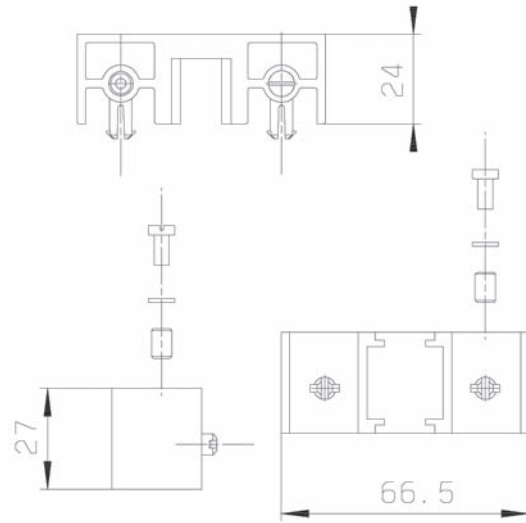
H-SL00



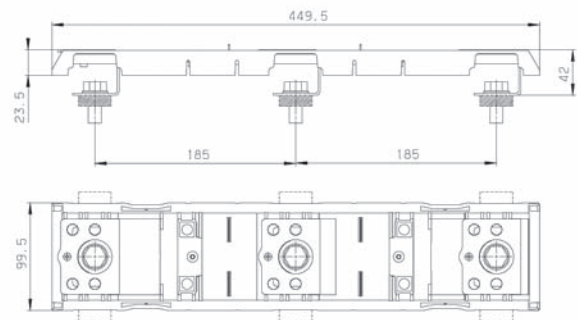
WH-BSC/3P



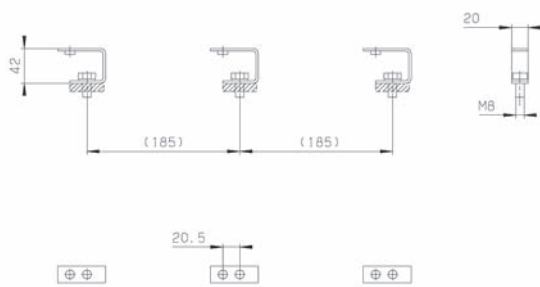
AH-SL



AL-SL00/42



AB-SL00/1



SH-100/185

